

SA12-1

product group: Stage Performance (GROUNDSTACK)
system type: Direct Radiating 12" + 1" HFD

construction

The SA12-1 is a 2-way full range system in a trapezoidal, computer optimized enclosure. Loudspeaker complement consists of an 12" LF woofer in a ported enclosure, and a single 1" compression driver mounted on a 90°x80° horn. The enclosure is constructed of durable 12-ply void-free birch laminate, dadoed for strength and durability. A standard tripod / polemount adaptor is included. Handles are balance-optimized to facilitate Perforated steel is employed for frontal protection of the loudspeaker complement.

Features:

- Switchable Passive to Biamp Crossover
- McCauley Performance Class Componentry
- Tripod / Polemount Adaptor
- 9 ply Dadoed Construction
- Durable ProCoat™ Elastomeric Finish



the idea behind it

The SA12-1 was designed as multipurpose, dedicated full range system for small to medium scale sound reinforcement. Used singly, or in pairs, this system offers high quality, high SPL sound in a manageable, durable package. Use an optional SA18 subwoofer for extra low frequency impact. This system integrates with other McCauley SA™ products, offering consistent coverage and a uniform appearance.

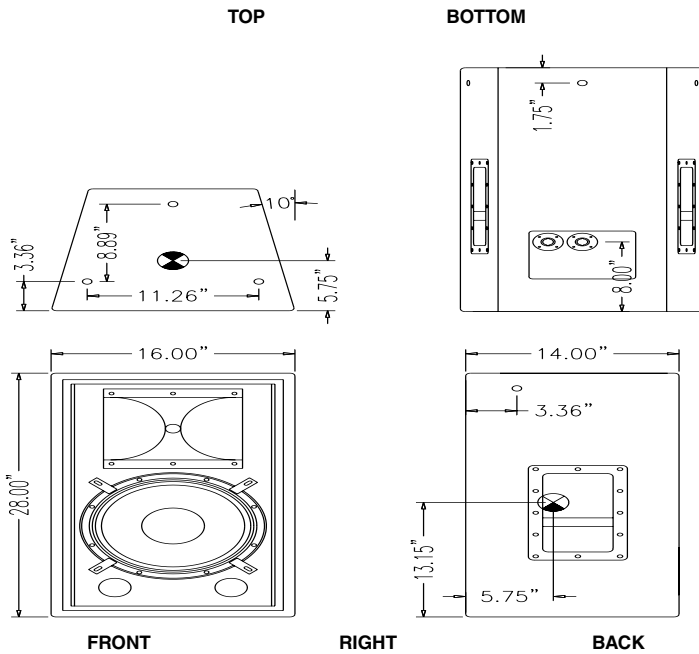
Applications:

- Sidfills
- Auditoriums
- Corporate / Seminar
- Rehearsal P.A.

performance parameters physical properties

power handling	500w RMS	weight	70lbs / 31kgs
frequency response	50Hz - 20kHz	dimensions	28H x 16W x 14D
nominal impedance		<small>inches</small>	71H x 40W x 35D
<small>Low</small>	8Ω	<small>centimeters</small>	
<small>High</small>	16Ω	finish	ProCoat™
sensitivity		enclosure material	5/8" 12-ply
<small>Low</small>	95db	construction	rabbet & dadoed
<small>High</small>	111db	suspension	none
maximum output SPL		connectors	parallel NL4
<small>Continuous</small>	129db	transducers	(1) 12" LF
<small>Peak</small>	132db		(1) 1" HF Driver
directivity/coverage	90°x80° (HxV)	recommended subwoofer	SA15, SA18, SA28

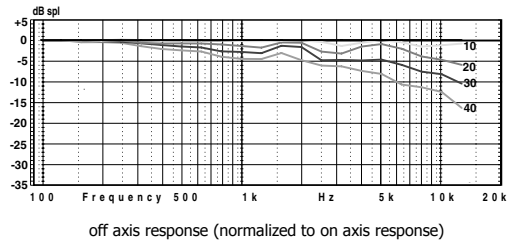
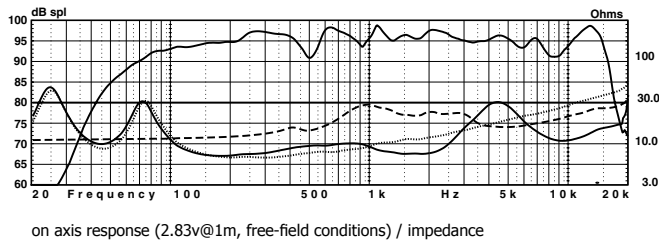
dimensional illustrations



architectural specifications

The loudspeaker shall be a two-way type with one 12" low frequency driver mounted in a bass reflex enclosure and one high frequency horn flare utilizing a 1" throat compression driver. The low frequency section shall contain one 12" "Focused Field" driver with a power handling capacity of 350 watts RMS and shall have a sensitivity of 95 dB SPL measured at 1 meter with 2.83 volts into a nominal 8 ohm load. The high frequency section shall consist of one 1" exit compression driver and horn combination with a power handling capacity of 100 watts RMS and a sensitivity of 111 dB SPL measured at 1 meter with 2.83 volts into a nominal 16 ohm load. The combined loudspeaker system shall be capable of 128 dB SPL continuous and 131 dB SPL peak maximum output. The loudspeaker system shall have an effective operating range of 60 Hz to 17 kHz +/- 3 dB (50Hz to 20 kHz -10 dB). The loudspeaker shall offer coverage angles of 90o Horizontal, and 80o Vertical. The enclosure shall weigh a total of 70 lbs. and shall measure 28 inches tall, 16 inches wide (12 inches at rear) and 14 inches in depth. The enclosure sides shall be angled at 10o from front to back forming a trapezoidal shape. The enclosure shall be made of 12-ply void-free birch hardwood and shall have a weather and wear resistant ProCoat™ elastomeric finish. The enclosure shall incorporate one steel handle on each side for easy mobility. Electrical connections shall be made via paralleled Neutrik NL-4 connectors, or optional NL-8 or EP series connectors. An optimized passive crossover network shall be switchable between full range and biamp modes. The loudspeaker shall be the McCauley SA12-1.

response data



polar data

Outer ring is +6dB, each ring represents an additional -6dB down. For vertical plots, 90° represents the top of an enclosure, 270° is the bottom.

