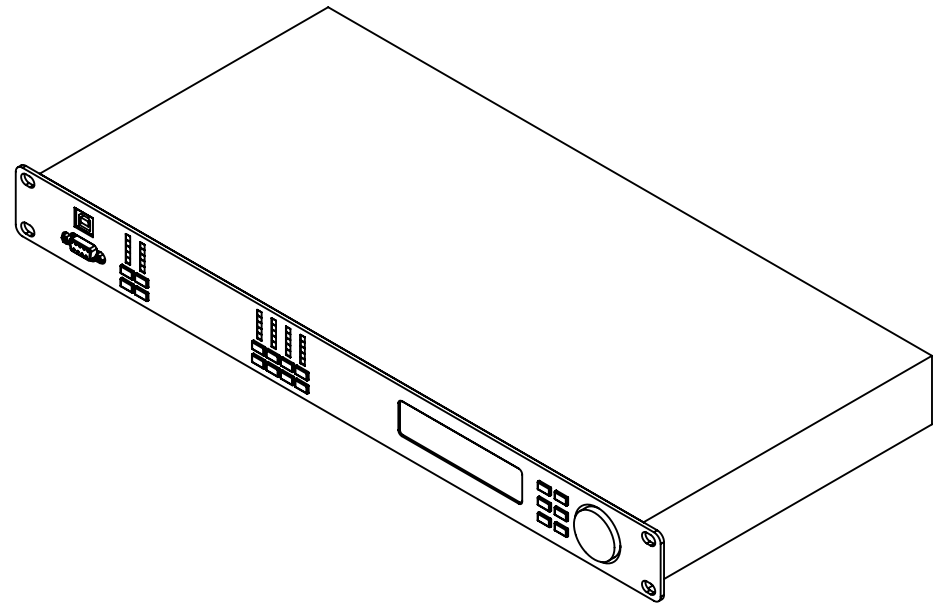
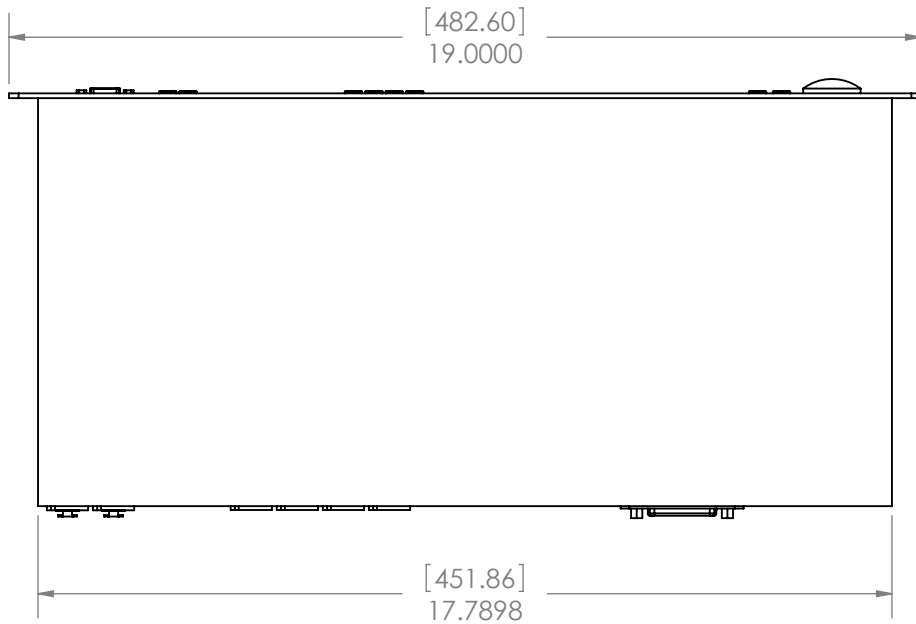
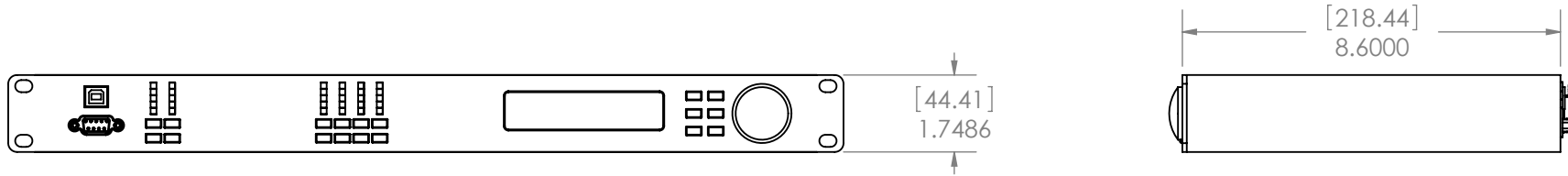


- A. DSP WEIGHT 6.4 LBS [2.90 KG]
- B. SHIPPING WEIGHT 10.58 LBS [4.79 KG]

		REVISIONS			
ZONE	REV.	DESCRIPTION	DATE	APPROVED	



**PROPRIETARY AND CONFIDENTIAL**  
 THE INFORMATION CONTAINED IN THIS DRAWING IS THE SOLE PROPERTY OF **McCauley Sound Inc.** ANY REPRODUCTION OF SAID PRODUCT, IN PART OR AS A WHOLE WITHOUT THE WRITTEN PERMISSION OF **McCauley Sound Inc.** IS PROHIBITED.

PRIMARY UNITS US CUSTOMARY SECONDARY UNITS SI TOLERANCES: LINEAR: ±0.005 ANGULAR: ±0.1 BEND: ±0.01 WEIGHT: ±0.1Lb UCS, BY MASS ±0.045kg SI	NAME	DATE
MATERIAL Aluminum	DRAWN	SL 022808
FINISH Black Anodized	CHECKED	
DRAWING NOT TO SCALE	File Name:	M204.slddrw M204.sldprt

**McCauley Sound Inc.**  
 16607 Meridian Ave E  
 Puyallup, WA 98375  
 (ph 253-848-0363) (fax 253-841-3050)  
 www.mccauleysound.com  
 www.linearray.com

SIZE	Project Name:	REV.
<b>A</b>	M204 DSP	<b>1</b>

Thursday, February 28, 2008 2:38:53 PM